



STAINMANN
Maschinenbau

**SNOW
PLOUGH**



The range of STAINMANN ploughs is modern, maximum efficient equipment and the best option for the price / quality ratio.

Without exception, all components are made from materials of proven manufacturers, and the most important and critical components for the operation of the machine are made of stainless steel.



- ✓ Speed is an indispensable feature of the snow plough.
- ✓ Ease of Assembly ensures fast commissioning on every truck.
- ✓ Since it is on-board equipment, special projects are prepared for all kinds of trucks.
- ✓ Shoveling width and diversity is the most advantageous aspect of system ergonomics.
- ✓ Working conditions and safety rules are organized according to international rules.
- ✓ The snow plough is operated from the cab and only by one operator.



FUNCTIONS

- The snow plough is mounted on a connection plate in front of the carrier vehicle to be used in snow removal works and its functions are controlled by the control panel placed inside the driver's cabin.
- The spiral spring technology dampens the reaction force when hitting an obstacle.
- Damage to the vehicle and the snow plough attachment is thus prevented.
- The HS type snow plough attachment is controlled by hydraulics.
- Hydraulic drive is provided by the powerpack on the snow blade and only 24-volt electrical connection is taken from the vehicle.
- Hydraulic drive is also provided by a hydraulic pump connected to a PTO output coupled to the vehicle transmission.

FUNCTIONS



With the control of the valve group, the blade performs left-right and up-down movements.



The blade performs snow plowing with its own weight.



The hydrostatic hydraulic energy used is supplied from the truck PTO.



The hydraulic equipment used is selected from the highest performance products.



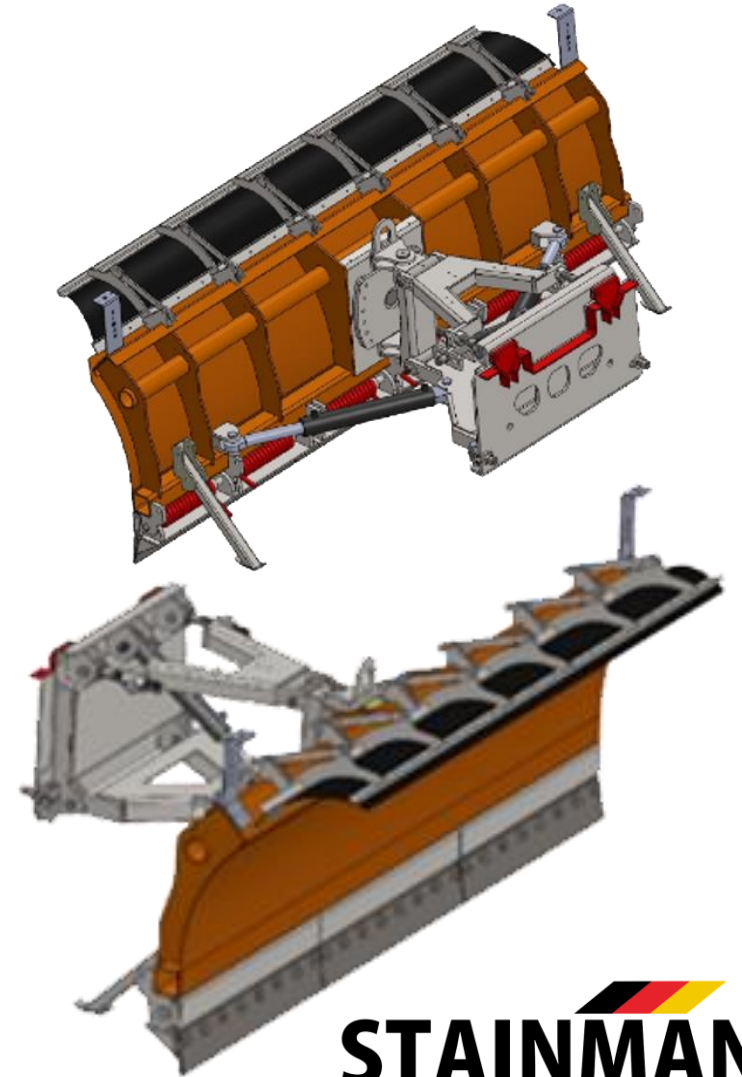
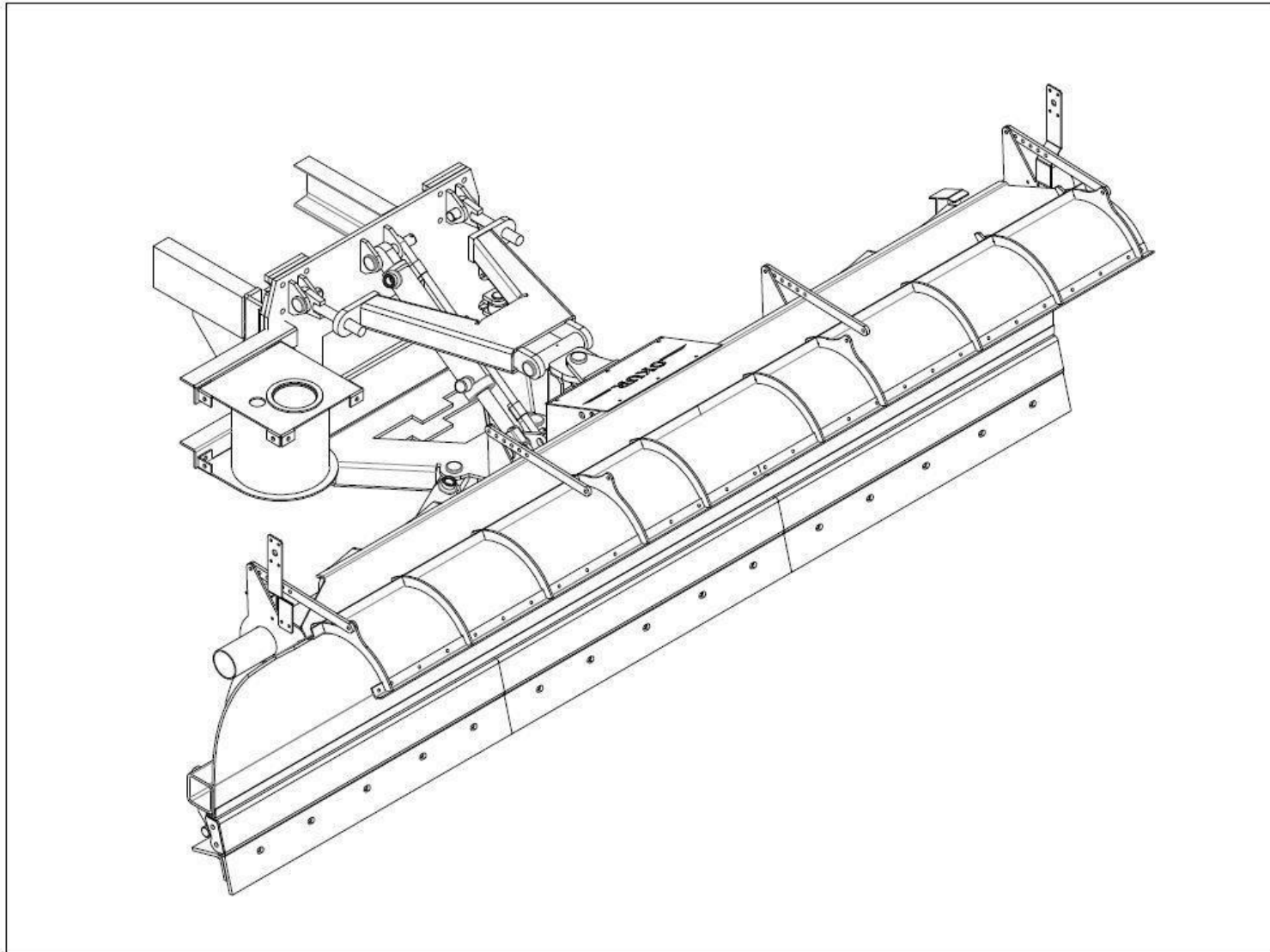
Snow plough blades are manufactured in variable specifications and dimensions depending on the capacity of the carrier vehicle, weather and road conditions where snow plowing work will be carried out. The scraper tip is made of special steel sheet.

MODEL RANGE



	OKB-3000	OKB-3300	OKB-4000
LENGTH OF BLADE SHEAR (mm)	3000	3300	4000
BLADE WIDTH (mm)	15 x 1000 x 150	15 x 1100 x 150	15 x 1100 x 150
SNOW PLOW BODY	Polyurethane & sheet		
NUMBER OF BLADES	3	3	4
SPRING / NUMBER OF CYLINDERS	6 / 3	6 / 3	6 / 3
WEIGHT (Kg)	750	800	900
CONTROL	Hydraulic system in driver's cab		
HYDRAULIC OIL VOLUME (L)	15		

PRODUCT OVERVIEW – FLOW CHART





www.stainmann.com



info@stainmann.com



+38 (067) 801 77 00



**[facebook.com/
StainmannMaschinenbau](https://facebook.com/StainmannMaschinenbau)**

**[instagram.com/
stainmannmaschinenbau](https://instagram.com/stainmannmaschinenbau)**



**[www.youtube.com/channel/
stainmann](https://www.youtube.com/channel/stainmann)**